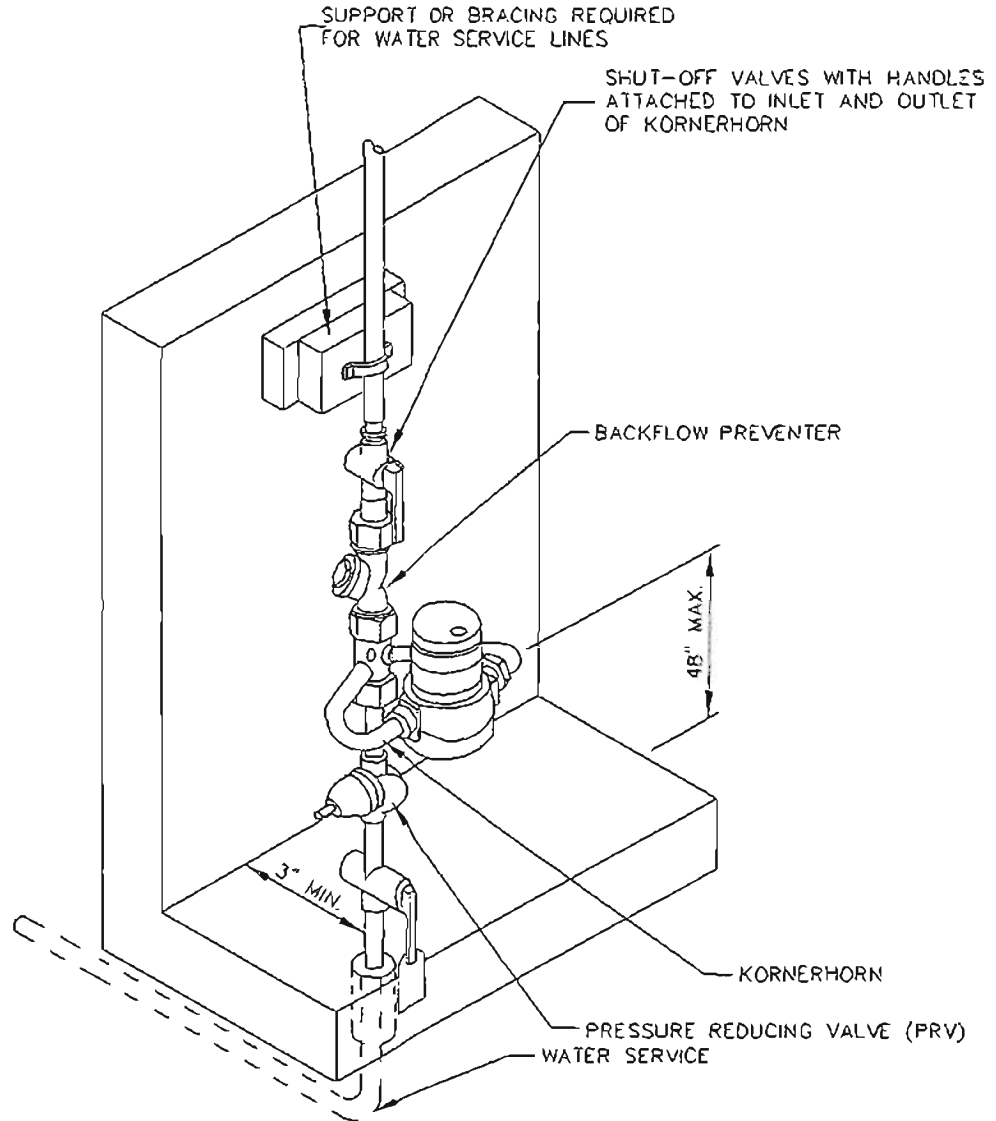


Attachment #2



NOTES:

- 1. PROVIDE CLEAR AND UNOBSTRUCTED 2' X 2' MIN. ACCESS TO THE KÖRNERHORN AND SHUTOFF VALVES.
- 2. KÖRNERHORNS SHALL BE INSTALLED SO THAT METERS ARE IN A HORIZONTAL POSITION
- 3. A SECURE SUPPORT IS REQUIRED FOR KÖRNERHORNS.

INTERIOR SERVICE CONNECTION

SCALE: N.T.S.



474 Windmere Drive
 State College, PA 16801
 (814) 238-7117
 Fax: (814) 238-7126
 info@hrg-inc.com
 www.hrg-inc.com

INTERIOR SERVICE CONNECTION

PROJ MGR -
DESIGN -
DRAWN - JWR
CHECKED -
SCALE - N.T.S.
DATE - 7-03

DRAWING NO.
1
SHEET NO.
1 of 1
PROJECT 2253.001