

PRV METER PIT W/PRESSURE REDUCING VALVE DETAIL
 NOT TO SCALE



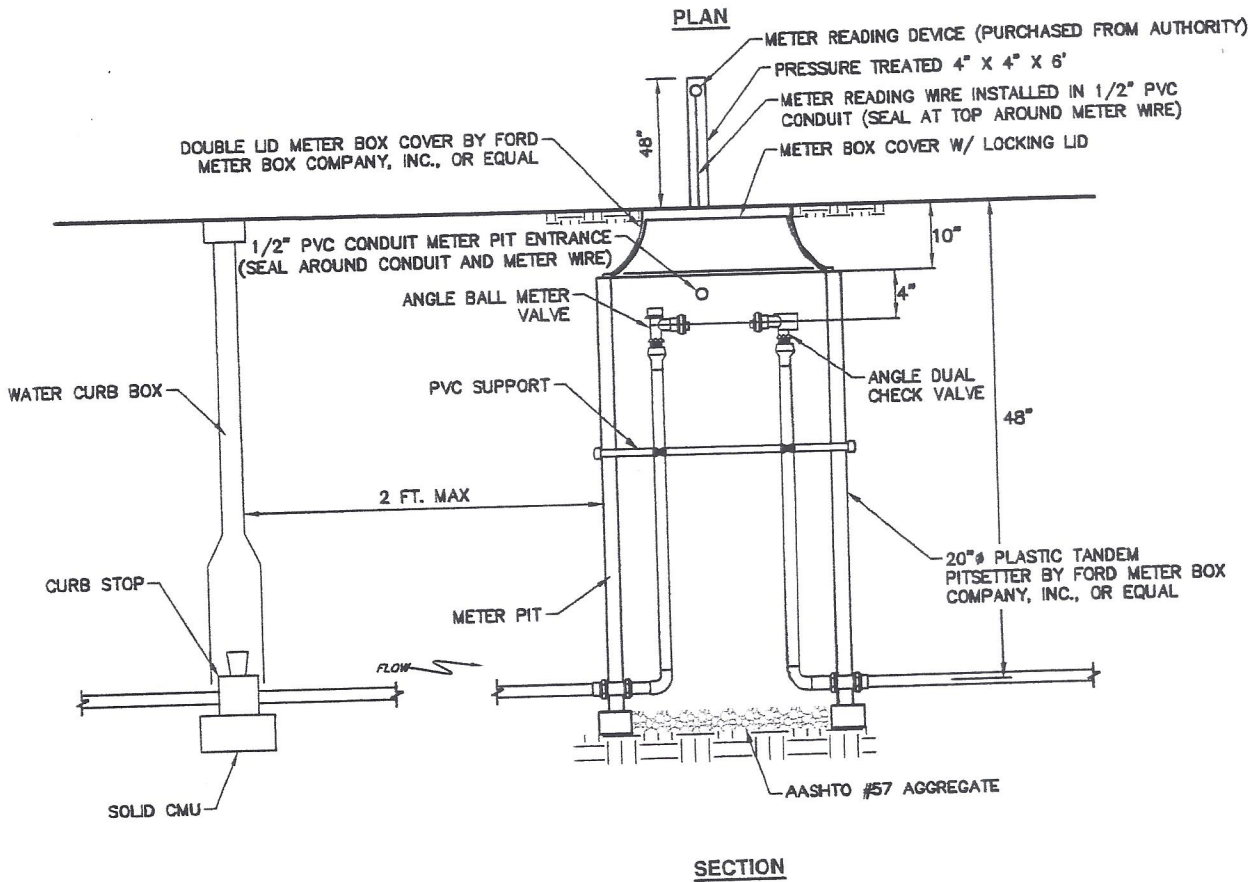
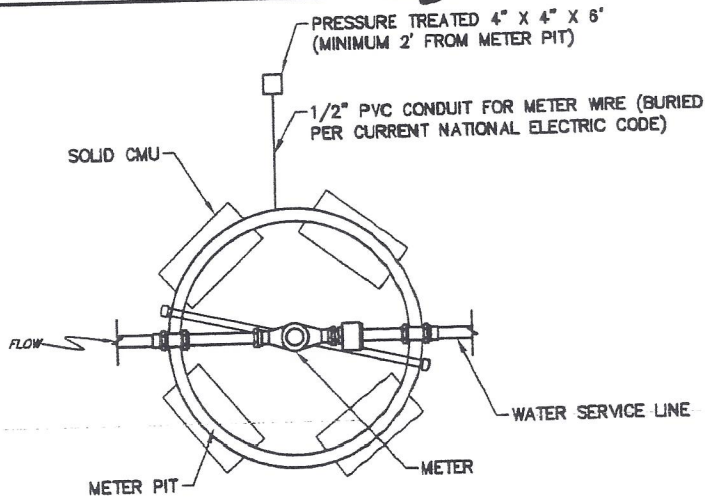
474 Windmere Drive
 State College, PA 16801
 (814) 238-7117
 Fax (814) 238-7126
 hrg@hr-ginc.com
 www.hrg-inc.com

**METER PIT
 W/PRESSURE REDUCING VALVE
 DETAIL**

PROJ. MGR. - BRB
DESIGN - CWS
CADD - JCP
CHECKED - BRB
SCALE - N.T.S.
DATE - MAR. 2013

DRAWING NO.
2
SHEET NO.
2 OF 2
PROJECT 002253.0001

File name: C:\Users\johanna\Desktop\ED022530001D1.dwg Layout: METER PIT (PRV) Mar 18, 2014 4:22pm jhanner



MP

METER PIT DETAIL

NOT TO SCALE

HRG
Herbert, Rowland & Grubic, Inc.
Engineering & Related Services

474 Windmere Drive
State College, PA 16801
(814) 238-7117
Fax: (814) 238-7126
hrg@hrg-inc.com
www.hrg-inc.com

METER PIT DETAIL

PROJ. MGR. - BRB
DESIGN - CWS
CADD - JCP
CHECKED - BRB
SCALE - N.T.S.
DATE - MAR. 2013

DRAWING NO.
1
SHEET NO.
1 OF 2
PROJECT 02253.0001